

RAPID RESPONSE™ I.V. TABLE

Stainless Steel

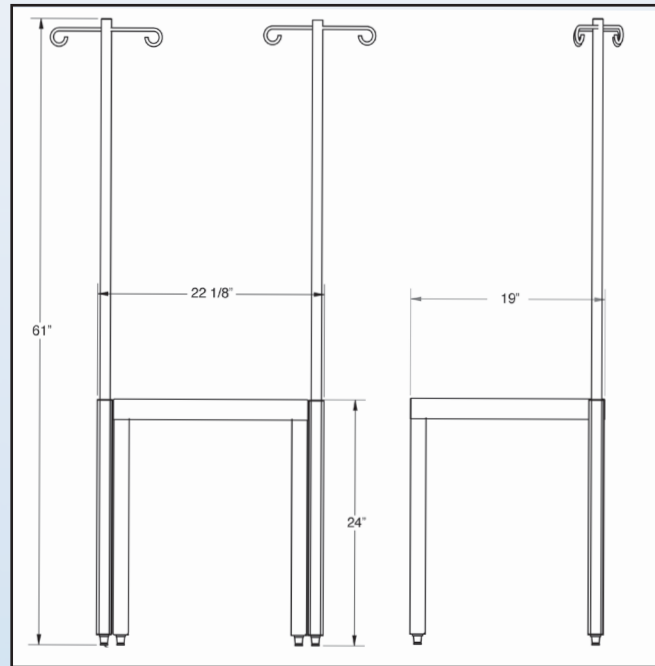
Model Information:

Model	Description
158429	1 I.V. Pole
158430	2 I.V. Poles

Ship Lead Time*

10 units - 3 days
11 to 50 units - 4 days
> 50 units - CALL
Minimum order 10 units

Quick-Ship
Lead Time!



- All-stainless steel heavy-duty construction - designed for continuous use
- Durable 190 lb. load capacity with 18-gauge top and 14-gauge angle legs
- Adjustable feet for easy leveling on uneven surfaces
- Stainless steel fixed-height (non-adjustable) 5' pole(s) of 1" diameter 18-gauge tubing - 61" overall height
- Two each 5/16" top hooks on pole
- Pole(s) swivel(s) for compact nesting storage
- Packed fully assembled (10 or 20 per case)

* Please verify ship lead time when placing order, as lead times are subject to change.

L LAKESIDE®

4900 West Electric Avenue • West Milwaukee, WI 53219 U.S.A.

800-558-8565 • 414-902-6400 • Fax 414-902-6446 • info@eLakeside.com • www.eLakesideHealthcare.com

Made In



USA