

RAPID RESPONSE™

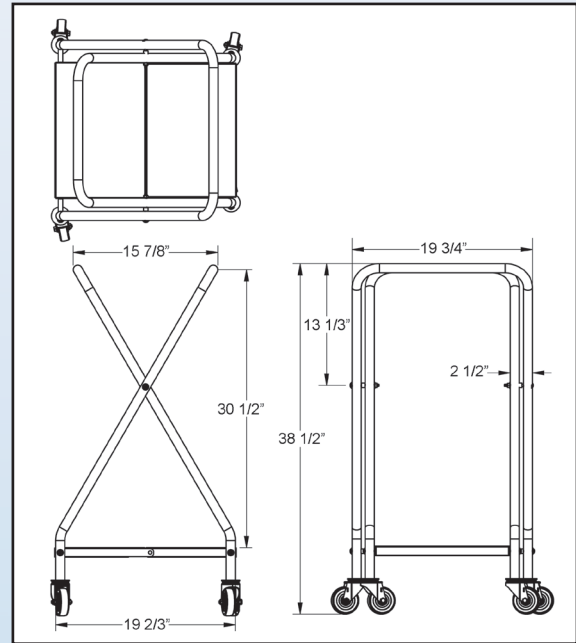
HIGH-VOLUME PPE HAMPER STAND

Stainless Steel - Mobile, Folding

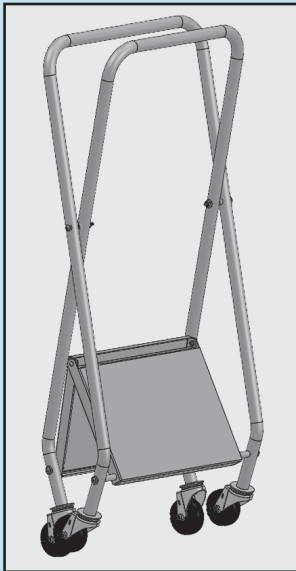
Streamline Your PPE Disposal Operation



Model 161228



Ship Lead Time
 Up to 10 units - 2 days
 11 to 15 units - 7 days
 16 to 20 units - 9 days
 20+ units - call for custom quote



Folds for compact storage.

DESIGN FEATURES

- Heavy-duty tubular stainless steel construction
- Holds 20- to 30-gallon (30" diameter) hamper bags
- Solid stainless steel lower shelf supports heavy hamper load (up to 50 lbs.)
- Easy to clean and sanitize
- Rolls easily on 3" diameter swivel casters
- Folds up quickly for space-saving storage
- Packed partially assembled for compact economical shipping

Ship weight 20 lbs.



4900 West Electric Avenue • West Milwaukee, WI 53219 U.S.A.

800-558-8565 • 414-902-6400 • Fax 414-902-6446 • info@eLakeside.com • www.eLakesideHealthcare.com

Made In



USA