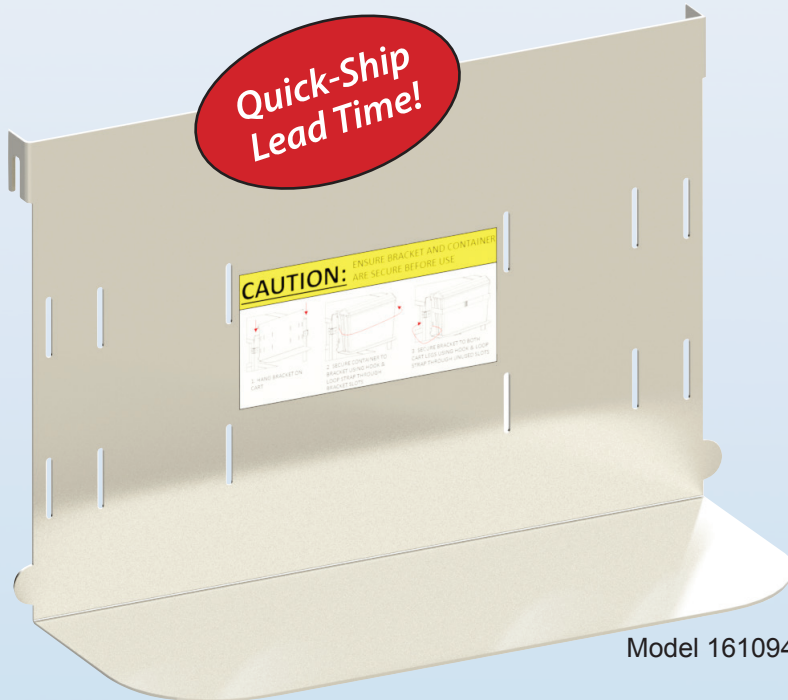


RAPID RESPONSE™

SHARPS CONTAINER BRACKET

Stainless Steel - For Cart Attachment

Turn your stainless steel carts into mobile sharps collection units with Lakeside's Sharps Container Bracket.



Model 161094

DESIGN FEATURES

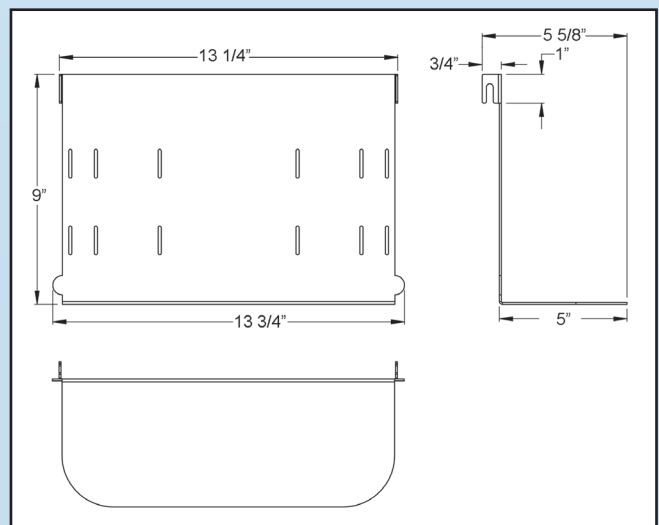
- Heavy-duty 14-gauge stainless steel - designed for continuous use
- Attaches easily and securely to Lakeside models 311 and 411 utility carts - no drilling required
- Accepts multiple sizes of sharps containers
- Adjustable 36" nylon straps with velcro fastener secure container
- Packed 5 per case

Ship Lead Time
 Up to 25 units - 2 days
 26+ units - 4 days

Quick-Mount System
 (No drilling needed.)



Shown attached to Model 311 cart.



4900 West Electric Avenue • West Milwaukee, WI 53219 U.S.A.

800-558-8565 • 414-902-6400 • Fax 414-902-6446 • info@eLakeside.com • www.eLakesideHealthcare.com

Made In



USA